

Mounting Plates

for Ball Housings of Ball Catches GN 4490,
Stainless Steel

SPECIFICATION

Type

- Type **L**: L-shaped

Identification no.

- No. **1**: Short
- No. **2**: Long

Stainless steel AISI 316 A4

Matte shot-blasted **GS**

INFORMATION

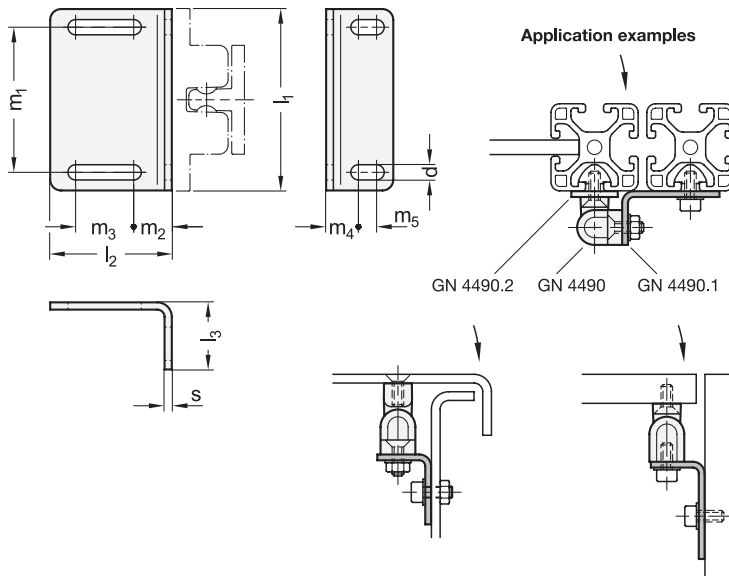
Mounting plates GN 4490.1 enable the use of ball catches GN 4490 (see page) in various installation situations. The positioning is facilitated by slotted holes.

ACCESSORY

- GN 50b T-Nuts (see page)
- GN 50i T-Nuts (see page)
- GN 51b T-Slot Nuts (see page)

TECHNICAL INFORMATION

- Stainless Steel Characteristics (see page A26)



GN 4490.1

STAINLESS STEEL

Description	l1	d	l2	l3	m1	m2	m3	m4	m5	s	For aluminum profiles with grid size	⚖
GN 4490.1-A4-50-L-1-GS	50	4.2	22	18.5	40	9.5	7	8.9	5	2	20	18
GN 4490.1-A4-68-L-1-GS	68	4.2	32	21.5	55	11	14	9.5	7	2	30	22
GN 4490.1-A4-50-L-2-GS	50	4.2	33.5	18.5	40	11	15.5	8.9	5	2	30	18
GN 4490.1-A4-68-L-2-GS	68	4.2	51	21.5	55	11	33	9.5	7	2	40 / 45	22
GN 4490.1-A4-80-L-2-GS	80	5.2	49	24.5	65	11	31	11.5	7	2	40 / 45	24